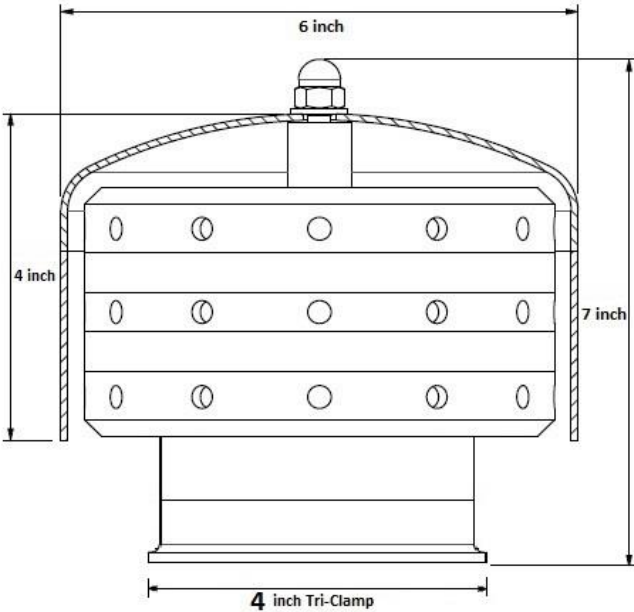


Filter Specs	
Model	BA-1404 400T
Replacement media	FMT-14-S20
Connection Size	4 Inch
Connection Type	Tri-Clamp
Design Pressure	Ambient
Flow capacity	60 SCFM

Materials of Construction	
Vent hood	316 SS
Segmented Discs	316 SS
Filtration Media	PTFE

Pressure Drop Chart			
Flow(SCFM)	Dry	30% Clog	50% Clog
10	0.1450	0.2071	0.2900
11	0.1595	0.2279	0.3190
12	0.1740	0.2486	0.3480
13	0.1885	0.2693	0.3770
14	0.2030	0.2900	0.4060
15	0.2175	0.3107	0.4350
16	0.2320	0.3314	0.4640
17	0.2465	0.3521	0.4930
18	0.2610	0.3729	0.5220
19	0.2755	0.3936	0.5510
20	0.2900	0.4143	0.5800



Equipment Tag