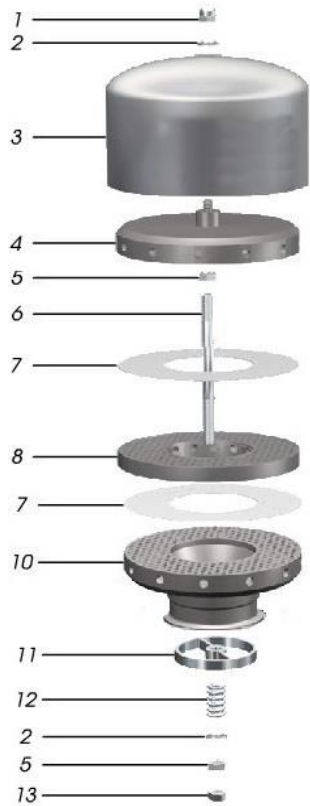


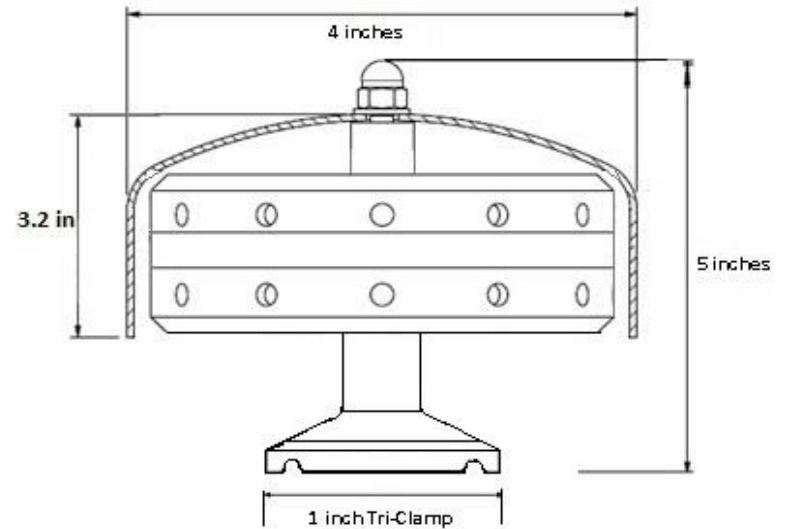
Drawings For:



Filter Specs	
Model	BA-0802 100T
Replacement media	FMT-08-S20
Connection Size	1 Inch
Connection Type	Tri-Clamp
Design Pressure	Ambient
Flow capacity	3 SCFM

Materials of Construction	
Vent hood	316 SS
Segmented Discs	316 SS
Filtration Media	PTFE

Pressure Drop Chart			
Flow(SCFM)	Dry	30% Clog	50% Clog
1	0.0967	0.1381	0.1933
2	0.1933	0.2762	0.3867
3	0.2900	0.4143	0.5800
4	0.3867	0.5524	0.7733
5	0.4833	0.6905	0.9667
6	0.5800	0.8286	1.1600
7	0.6767	0.9667	1.3533
8	0.7733	1.1048	1.5467
9	0.8700	1.2429	1.7400
10	0.9667	1.3810	1.9333
11	1.0633	1.5190	2.1267



Equipment Tag



MICROPURE® FILTRATION

5/21/2014

NTS

Drawing No.

BA-0802100T